

These instructions may be used to disassemble all versions of our Verity Sleeper and available options.

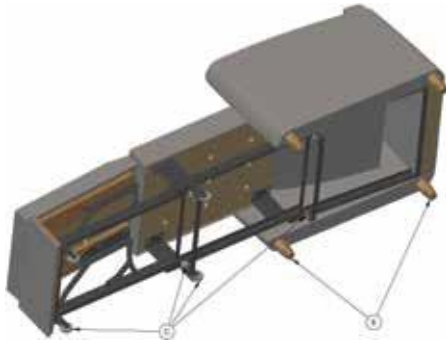
**Time Required:**

20 minutes.

**Tools Required:**

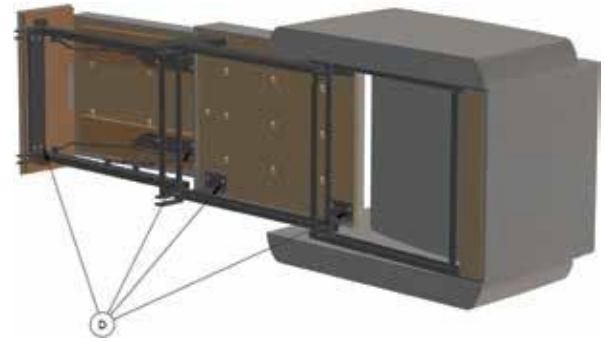
#2 Philips screwdriver, flat blade screwdriver, 1/2" wrench or ratchet and socket, and knife (preferably a box cutter).

**A:** Place the sleeper into the sleep position by extending the Leg sections and lowering the Back between the Side Frames. Next, with an assistant, lay the sleeper on its side.

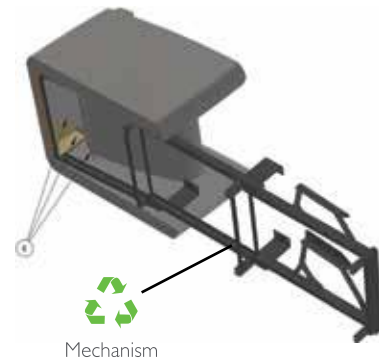


**B:** With a #2 Philips screwdriver, remove the four swivel casters mounted to the Side Frames of the sleeper. If equipped with optional wood legs (shown), unscrew them from the Side Frames. With a screwdriver, pry the nylon glide free from each leg.

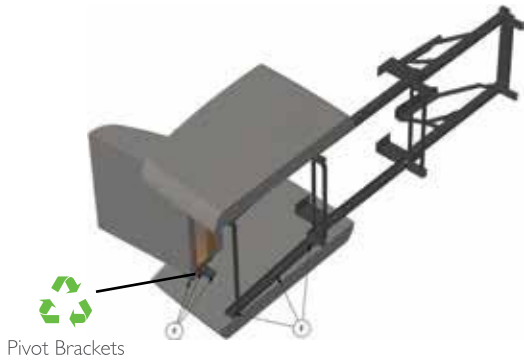
**C:** With a #2 Philips screwdriver and a blade screwdriver, remove the eight wheels from the Retractable Mechanism. This can be done by holding the axle stationary at one end with the Philips screwdriver, and prying loose the retainer "C" clip at the other end. Remove the axles and the wheels.



**D:** Using the #2 Philips screwdriver again, remove the two leg sections and end panel from the Retractable Mechanism. Lay these to one side for further disassembly.



**E:** Next, pull away the dust cover which is attached with Velco® to the inside lower portion of the back section. This will provide access to the eight bolts attaching the Back Frame to the two Side Frames. Using a 1/2" wrench, or ratchet with socket, remove these bolts. Next, pull away the Velco® flap between the Back Frame and the Back, and place the Back Frame to one side.





### Upholstery and Foam Removal

**G:** Using a knife, carefully cut the upholstery next to the staples securing the upholstery to the plywood panels and interior wood frame of the various components. Next, take the knife (preferably a box cutter) and carefully slice the foam away from these components. Remove the fabric and foam.

**F:** Using the #2 Phillips screwdriver, remove the screws from the left and right pivot brackets used to mount the Back to the Side Frames. Next remove the screws that attach the mechanism to the side Frames. Now with an assistant, flip the sleeper over on its other side and repeat the same process.

### Material Breakdown

Quantity	Component	Material
1	Retractable mechanism	Steel 
2	Pivot brackets	Steel 
2	Side frames	Wood
2	Side frames	Foam
1	Back frame	Wood
1	Back frame	Foam
4	Back, leg sections and end panel	Wood
4	Back, leg sections and end panel	Foam
1	Dust cover	Fabric
2	Upholstered pieces	Vinyl or fabric
4	Wheels	Polymide / thermoplastic rubber / plastic
4	Casters	Polymide / thermoplastic rubber / steel
2	Arm caps (option)	Wood
2	Arm caps (option)	Polyurethane
4	Legs (option)	Wood
Various	Staples and various fasteners	Steel 